

Burns and Ferrall Locations

AUCKLAND
 12 Reg Savory Place
 East Tamaki, Auckland

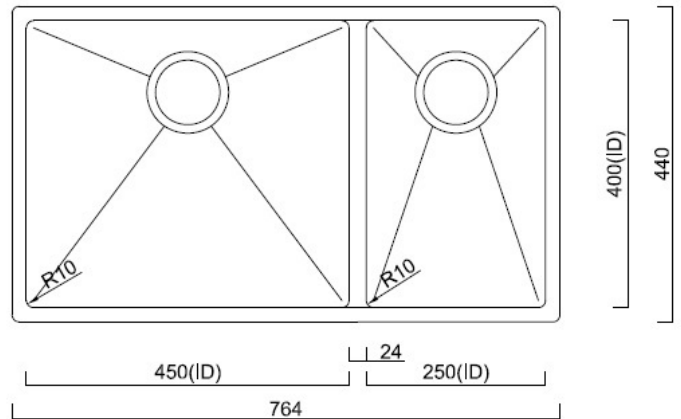
0800 697 465

WELLINGTON
 122-124 Tory Street
 Te Aro

HAMILTON
 60 Alexandra Street
 Central

CHRISTCHURCH
 345 St Asaph Street
 Christchurch

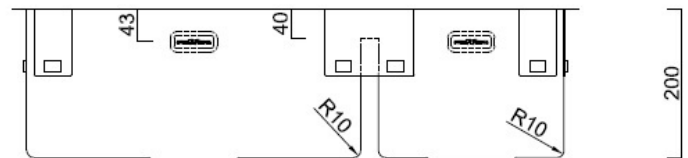
Product Specification Sheet
BFD764R10DBLH



Designer R10 Range
 Cause-Way Double Bowl

Main Bowl: 450W x 400H x 200
 Second Bowl: 250W x 400H x 200
 Overall: 764 x 440

Top Mount / Under Mount / Weld
 Includes 2x 90mm waste and overflow
 Includes 2x Waste covers



Accessories Available (optional)

- | | | | | | |
|---|---|---|---|--|---|
|  |  |  |  |  |  |
| BFDDT15
DRAINING TRAY
425 X 360mm | BFDRMB
ROLLER MAT
480 X 450mm | BFDCO
COLANDER
430 X 165mm | BFDCB15
CHOPPING BOARD
430 X 370mm | BFddb
DRAINING BASKET
390 X 325mm | BFDCBCO15
BOARD & COLANDER
415 X 415mm |

E&OE – it is recommended all measurements are taken directly from the product. Specification subject to change without notice, always consult the literature supplied with the product. Coloured images are indicative only.